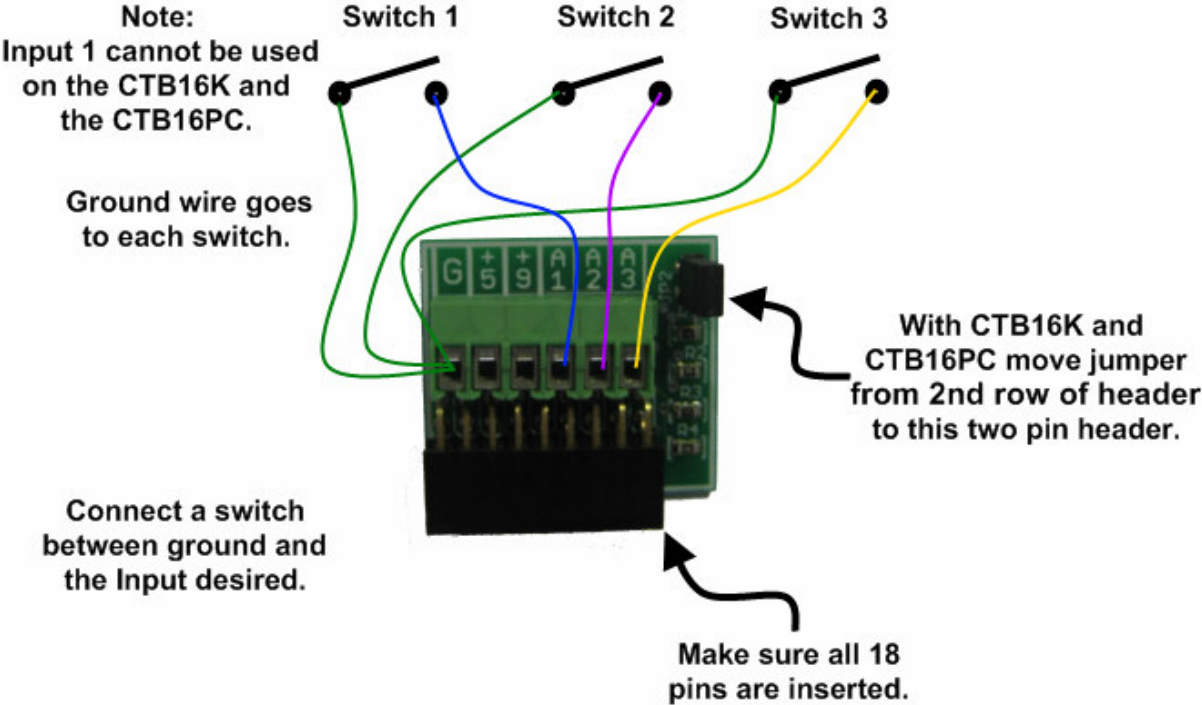
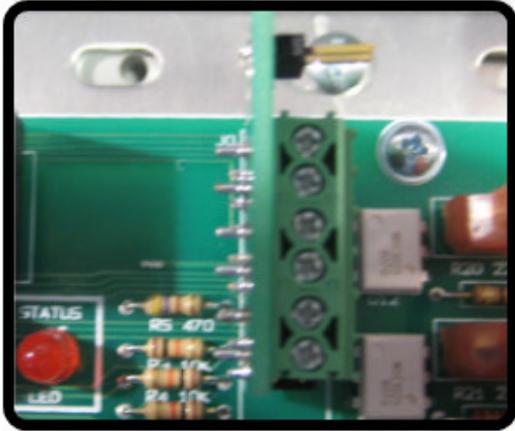


CTB16 HEADER

First connect your wires using small gauge bell wire and then place the connector on the 18 pin header as shown below.



Install as shown on CTB16D and LOR160xW



Install as shown on a CTB16PC